

A range of right-angled printed circuit board mounting DIN sockets which enable any DIN plug to be interfaced with a PCB.

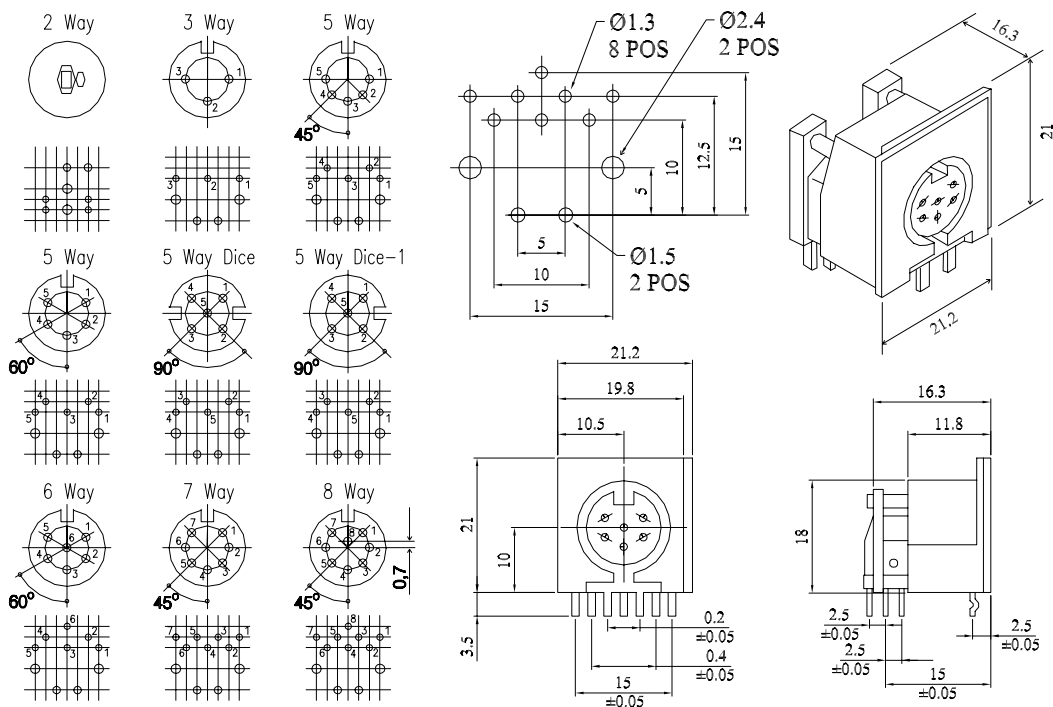
MATERIAL : Noryl SE100-701

SOCKET CURRENT RATING 4 Amps
 CONTACT RESISTANCE 34 V d.c. 24 V a.c.
 10 milli-ohms

SOCKET TO PLUG EARTH LEG TO SHIELD INSULATION RESISTANCE 100 milli-ohms
 10³ mega-ohms
 TESTING VOLTAGE 500 Volts
 CONTACT RETENTION FORCE OF EACH CONTACT 0.8 N

WORKING TEMPERATURE +70OC to -20OC

Dimensions



CONVERTED FROM PS0032 ISS5 (02.03.98) IN JAN 2003

cNo 671 SERIES

TITLE PRINTED CIRCUIT BOARD – DIN SOCKETS

ALL DIMENSIONS IN MM
 ANGLES IN DECIMAL DEGREES

5

GENERAL SPECIFICATION
 671 SERIES

CUSTOMER

FILTER REF

Aprvd Date 10/02/03

Aprvd By MC

BFS

ale: NTS

Sh 1 1